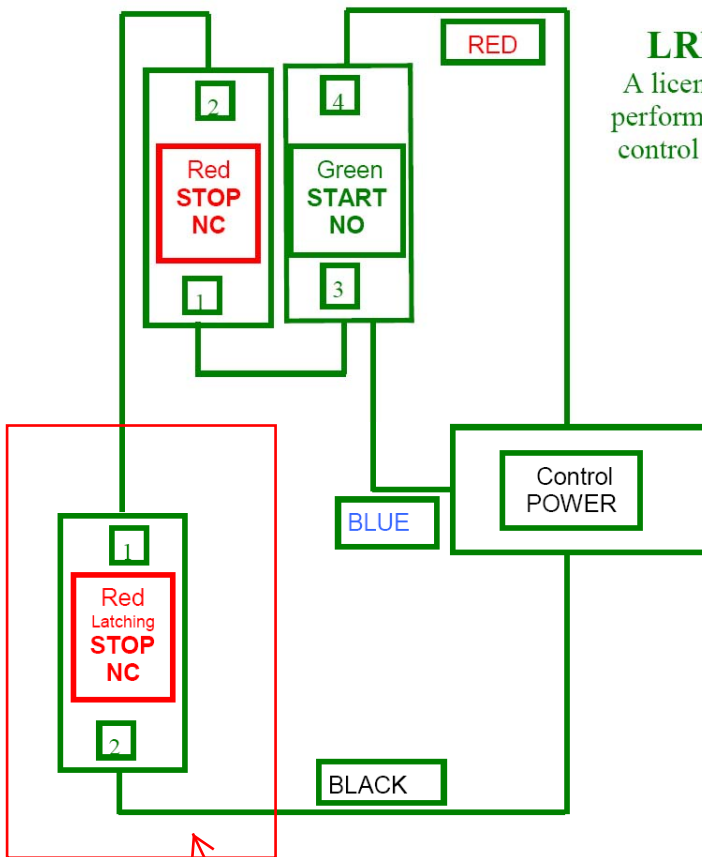


LRM140 Wiring Diagram

A licensed and qualified Electrician must perform the wiring to connect the LRM140 control to the machine's electrical system.



The switches that make up the LRM140 are rated as - 240 VAC 3 Amps

They are meant to be used in control circuits ONLY. The LRM140 is not intended to be used to control any machine's motor directly in any way.

This controller is designed to control the magnetic motor starter only. Feel free to call Lovegreen Risk Management, LLC at 800-262-8284 with questions.

LRM141 (emergency stop switch)