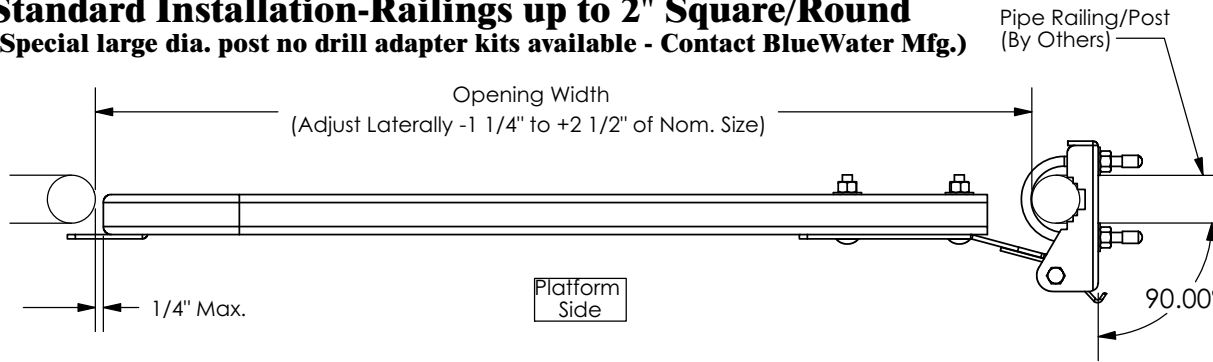


Standard Installation-Railings up to 2" Square/Round

(Special large dia. post no drill adapter kits available - Contact BlueWater Mfg.)

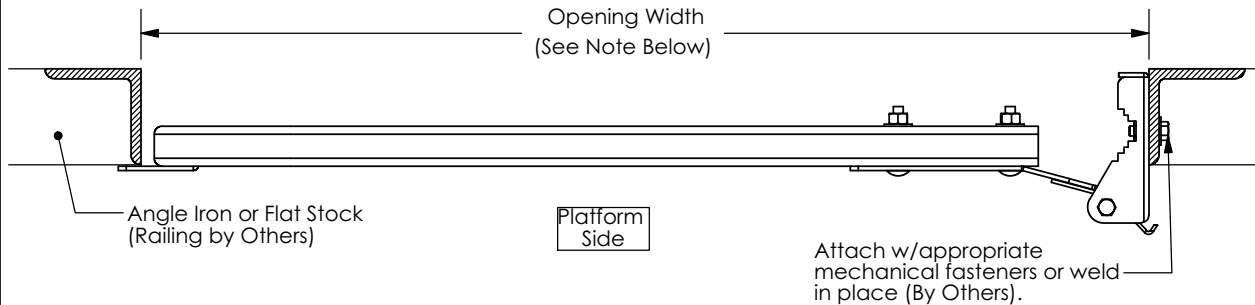


Note:
Contact BlueWater Mfg. for special installations/ or modifications

Always field verify completed installation for adequate performance

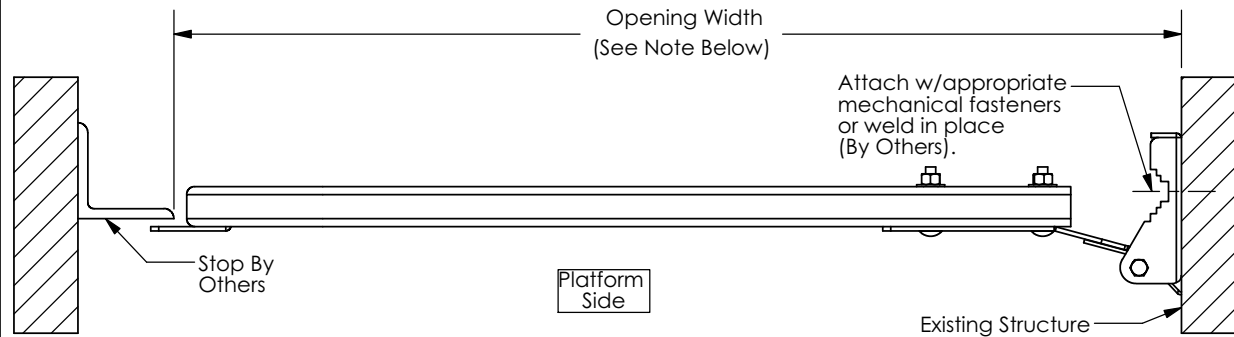
Installing on Angle Iron/Flat Stock Railing - (Angle Iron Shown)

(Special no drill adapter kits available - Contact BlueWater Mfg.)



Note:
For inside face mount order gate size 2 1/2" narrower than opening width (see above diagram).
Contact BlueWater Mfg. for special installations/ or modifications

Installing on Wall/Flat Surface



Note:
For inside face mount order gate size 2 1/2" narrower than opening width (see above diagram).
Contact BlueWater Mfg. for special installations/ or modifications



7914 Kerber Blvd.
PO Box 203
Chanhausen, MN 55317
Ph: 866-898-5237
Fax: 952-926-0518
info@bluewater-mfg.com
www.bluewater-mfg.com

Ladder Safety Gate Installation Instructions

Tools Required:
- 1/2" deep socket or wrench (u-bolt installation)

The steps below are a general guideline for a single gate installation on a railing post up to 2" square/round. Individual installation may vary, therefore, load capabilities of a gate are dependent on proper installation and existing structure. **Always field verify completed installation for adequate performance.**

Step 1:

Loosely attach ladder safety gate hinge assemblies to vertical column of railing with provided u-bolts (or select appropriate field fasteners for other types of installation). Do not tighten, as additional adjustment may be required.

Step 2:

Adjust top of safety gate to match top of railing.

Step 3:

Align hinge bracket to be perpendicular (90°) to ladder safety gate and opening.

Step 4:

Adjust gate hoop to proper opening width. This can be achieved by selecting any combination of two of the three bolt holes at connection point for hinge plate and gate. **Insure stop plate over laps and contacts adjacent vertical column of railing system (opposite of hinge side) allowing for 1/4" max. of clearance.** Tighten carriage bolts once at desired width.

Step 5:

Operate gate through full swing range (180 degree max.) to insure proper alignment before permanent attachment. If mounting to pipe/railing, tighten each u-bolt to **20 ft/lbs.** of torque and **field verify for adequate attachment (all types of installations).**

Special Applications: Contact BlueWater Mfg. for optional no drill adapter kits for large dia., flat bar, and angle iron posts.

Single Gate Installation Instructions for the BlueWater Mfg. Ladder Safety Gate

(All Finish Types)

Thank you for purchasing a BlueWater Mfg. Ladder Safety Gate. The BlueWater Mfg. Ladder Safety Gate is designed to be simple and easy to install. The gate is shipped fully assembled with all hardware conveniently packaged in the cloth bag attached to the Ladder Safety Gate. Each Ladder Safety Gate is individually boxed for protection, easy storage, and portability. Each box is labeled with the size and finish of the gate contained within the box for easy identification.

If you need clarification or technical advice, please feel free to contact our office at **1-866-898-5237**. Our offices are open 8:00 AM to 5:00 PM, CST, Monday thru Friday.

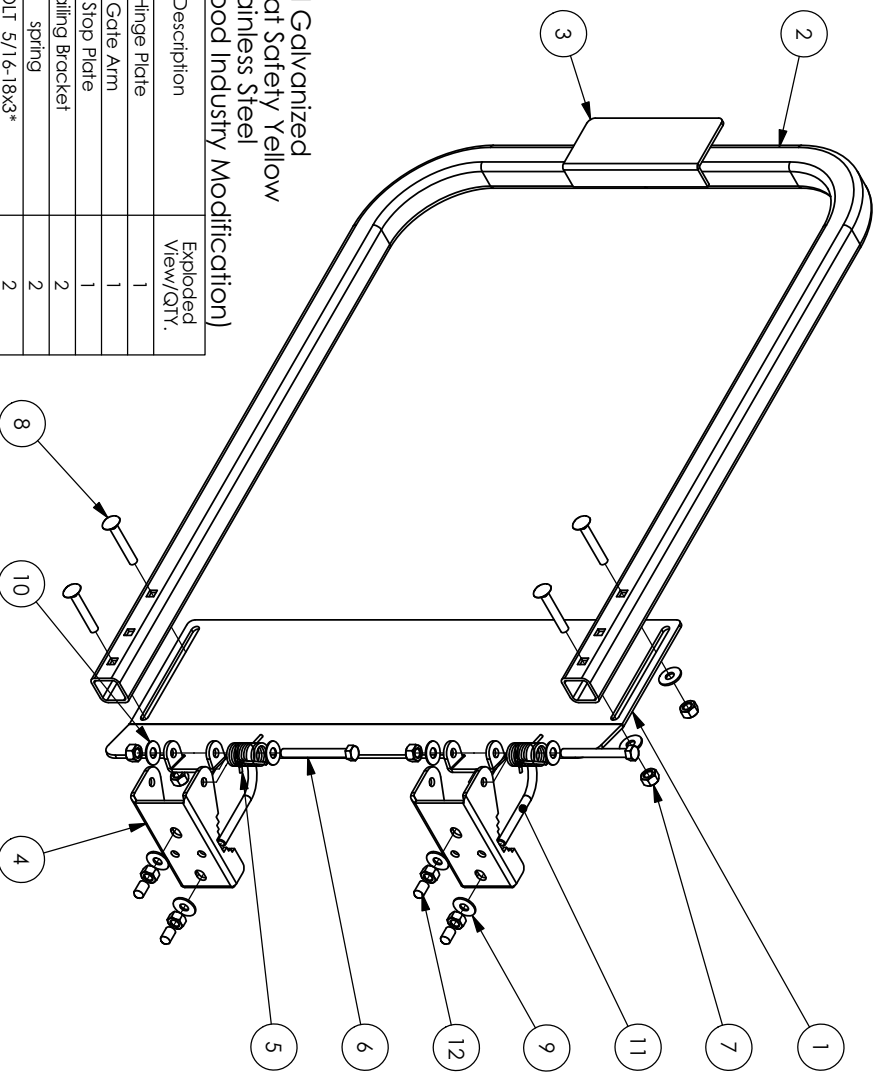
What is the requirement?

OSHA Reference
29 CFR 1910.23 Guarding of floor and wall openings and holes.

"(a)(2) Every ladderway floor opening or platform shall be guarded by a standard railing with standard toeboard on all exposed sides (except at entrance to opening), with passage through the railing either provided with a swing gate or so off-set that a person cannot walk directly into the opening"

Parts Diagram

Note: Ladder Safety Gate is shipped assembled.
Diagram is for part identification only.



- Finish Options:
- **GAL** - Hot Dipped Galvanized
 - **PCY** - Powder Coat Safety Yellow
 - **SS** - 316 Alloy Stainless Steel
- (Optional Food Industry Modification)

ITEM NO.	Description	Exploded View/QTY.
1	Hinge Plate	1
2	Gate Arm	1
3	Stop Plate	1
4	Railing Bracket	2
5	spring	2
6	HBOLT 5/16-18x3*	2
7	5/16 Nylock Hex Nut*	10
8	CBOLT 5/16-18x2*	4
9	5/16 Flat Washer*	8
10	Nylon Washer	4
11	U-Bolt*	2
12	U-bolt cap	4

Note:
Standard railing bracket can adapt to railing posts up to 2" square/round.

Special Applications: Contact BlueWater Mfg. for optional no drill adapter kits for large dia., flat bar, and angle iron posts.

* Hardware: SAE J429-Grade 5
Stainless steel: 316 alloy